



# DNH

HEAD OFFICE, NORWAY  
DNH AS

Phone..... + 47 35 98 56 00  
Fax..... + 47 35 98 56 10  
E-mail..... dnh@dnh.no  
Web-Site..... www.dnh.no

ENGLAND  
DNH WW Ltd

Phone..... + 44 1908 275 000  
Fax..... + 44 1908 275 100  
E-mail..... dnh@dnh.co.uk

GERMANY  
DNH GmbH

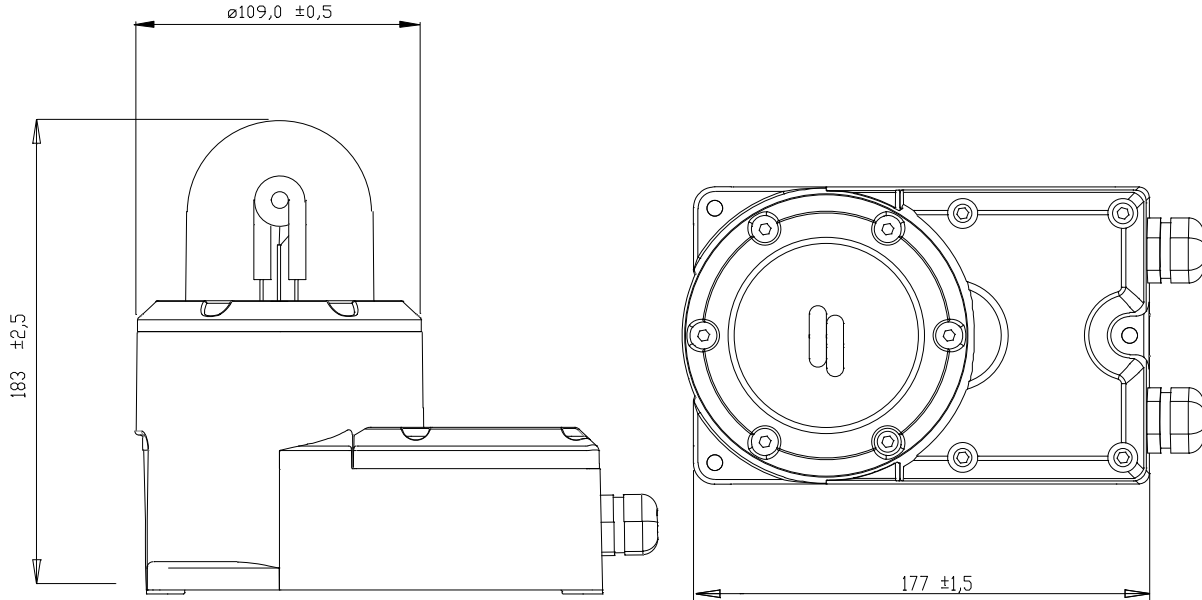
Phone... + 49 040 6569 30-0  
Fax..... + 49 040 6569 30-30  
E-mail..... dnh@dnh.de

## BS-21 ExeN

USA  
DNH Speakers Inc

Phone..... + 1 484 494 5790  
Fax..... + 1 484 494 5793  
E-mail..... dnh@dnhspeakers.com

ISO 9001 CERTIFIED



Presafe 15 ATEX 6138X

IECEx PRE 15.0008X

### Specifications

<b>Material / Color</b>	Stainless steel		<b>Lamp type</b>	Xenon	
<b>Mounting</b>	Screws		<b>Cable entries</b>	M20	
<b>Termination</b>	Push-In terminal		<b>Lens colors</b>	Clear, Red, Yellow, Green, Blue	
<b>IP-rating</b>	66		<b>Weight</b>	6,5 kg	
<b>Max. / min. amb. temp</b>	58°C / -50°C (T3)		<b>Flash rate</b>	1 Hz	
<b>Rated energy</b>	21 Joule		<b>Dome</b>	Borasilicate glass	
<b>Max voltage DC</b>	48V		<b>Max voltage AC</b>	230V (50 – 60Hz)	
<b>Rated current 24V Dc</b>	<b>Average</b>	<b>Max</b>	<b>Rated current 115V Ac</b>	<b>Average</b>	<b>Max</b>
	0,625A	2,9A		0,391A	0,7A
<b>Rated current 48V Dc</b>	<b>Average</b>	<b>Max</b>	<b>Rated current 230V Ac</b>	<b>Average</b>	<b>Max</b>
	0,375A	1,9A		0,208A	0,5A
<b>Luminous intensity</b>	Between 300 and 400 candelas				

### Installation, Operation and Maintenance Procedures

- Secure the BS-21 ExeN Flashlight to ceiling or wall with three screws.
- Termination is accessed in e-chamber, by removing lid fastened with four screws.
- Be sure that the Ex-product is connected to the correct voltage, and current stated on labels on the model.
- The lid screws for the termination chamber should be fastened with a torque of 2 Nm to assure the IP-rating.
- Use only correctly certified cable glands/bling plugs. Reflecting the same IP & temp. spec. as stated on certified label.
- Outside earthing: Min 4mm<sup>2</sup> wire.
- Inside earthing: Use marked earth screw. Min.cross section equal to one of the wire on incoming cable.
- Delivered with 2 x M20 plastic Ex blanking plugs.
- WARNING: Do not open this Ex-product when it is energized.
- This Ex-product shall only be used in an area of low risk of mechanical danger.
- This product is supplied with a two years warranty against defective materials and workmanship.

DNH reserves the right to alter specifications without notice

